

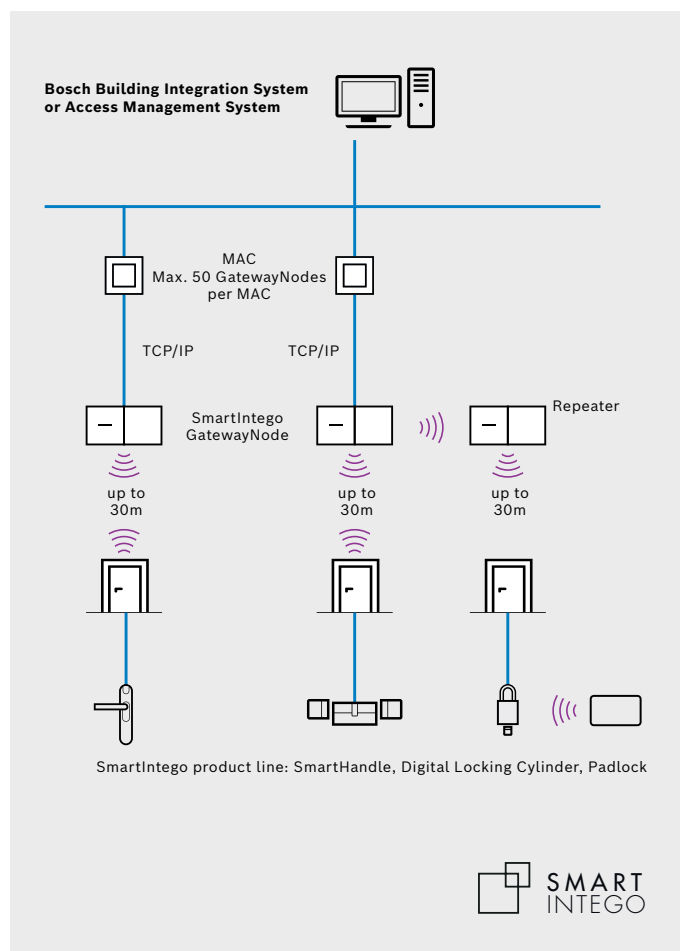
Wireless online locking system

Secure and Seamless Integration of SimonsVoss SmartIntego Wireless Locks into Bosch BIS and AMS

The integration of the Bosch [Building Integration System \(BIS\)](#) and [Access Management System \(AMS\)](#) with SimonsVoss' SmartIntego allows for an IP-based management of digital locks. The SmartIntego locks in the form of cylinders, door handles, padlocks or locker locks communicate via their GatewayNodes to the BIS Access Engine (ACE) or AMS. Each GatewayNode is capable of communicating with up to 16 locking devices. The management of cardholders and access authorizations is then handled within the BIS / AMS, allowing for a fully integrated monitoring and management of all connected devices. Thanks to an AES encrypted communication

and message sequencing, the connection between BIS / AMS and SmartIntego is fully secured by default. The integration of the digital locks is very straightforward as the SmartIntego configuration for all doors can be imported at once to the ACE / AMS. The digital locks themselves feature a unique mounting technology to affix them without needing to drill holes.

Furthermore, there is no need for cables to be connected or installed, as all locks are battery-operated. The digital locks can handle the transmission standards of the card formats MIFARE® Classic and MIFARE® DESFire® (CSN).



- Integration of SimonsVoss' SmartIntego digital locks with Bosch Building Integration System (BIS) and Access Management System (AMS)
- IP-based, wireless digital locking
- Cardholder management and access authorizations handled by BIS / AMS
- Encrypted communication between BIS / AMS and SmartIntego
- 868-MHz technology to ensure wide, interference-free ranges in the radio network

Compatibility

SimonsVoss

SmartIntego GatewayNode
SmartIntego Locking Cylinder (CO, FD, AP, WP, DK, HZ, SL, MP)
SmartIntego SmartHandle (normal version and ER version)

SmartIntego Padlock
SmartIntego SmartLocker

Bosch products

[Building Integration System 4.6 and higher](#)

[Access Management System 5.0 and higher](#)

AMC2 RS-485



Office buildings



Education



Hospitals and health care

Key features

- Electronic logbook**
 All transactions and events are logged continuously, are visualized in BIS / AMS and can trigger off follow-up actions.
- Remote door release**
 Individual locking devices can be activated centrally by BIS / AMS without a SmartCard.
- White list**
 Up to 250 cardholders from the BIS ACE / AMS can be stored locally within the locking device to assure access in the event of a network failure.
- Office toggle mode**
 Doors or groups of doors can be switched to 'open' or 'closed' for specific time frames.
- Anti-passback**
 To prevent unauthorized sharing of credentials, BIS / AMS checks who entered a room and only allows for re-entry if the cardholder had checked out before.
- Battery charging control**
 Battery status is displayed on BIS / AMS and shows a warning signal in time.

SmartIntego system components and their benefits

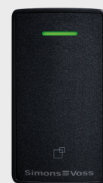
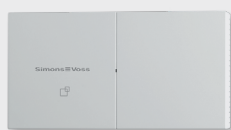
The SmartIntego GatewayNode has a reach of up to 30 meters and is capable of communicating with up to 16 locking devices via an 868 MHz wireless connection.

The SmartIntego Digital Cylinder AX provides fit for purpose solutions throughout the buildings, is extremely easy to install and is equipped with BLE.

The SmartIntego Digital SmartHandle is the right choice for aesthetic surroundings. The SmartIntego SmartHandle AX can be adapted to the spindle, door thickness and centres distance and is equipped with BLE.

The SmartIntego Digital Padlock AX is equipped with BLE, protects personal belongings and is even suitable for outdoor use.

The SmartIntego SmartLocker AX is fully customizable. The platform offers the right variant for every cabinet door with a drill-free easy fitting and installation and is equipped with BLE.



At **KEENFINITY**, we are a globally leading provider of innovative security and professional communication solutions. With a heritage of quality and reliability, and a vision driven by innovation, we are shaping the future of communication, security, and manufacturing excellence. We exceed the expected. We proudly stand behind industry-leading brands such as Bosch, Electro-Voice, Dynacord, RTS and Telex – names that are synonymous with quality, reliability, and innovation. Whether it is ensuring security and peace of mind, delivering unparalleled audio experiences, or enabling clear and mission-critical communication, our technologies secure spaces, amplify voices, and deliver excellence.

For more information, visit [keenfinity-group.com](https://www.keenfinity-group.com)

SimonsVoss' vision is to make a keyless world reality. **SmartIntego** meets today's decision makers on eye level and answers their need for a seamless integration process. Multi-Application is the core of SmartIntego and the enabler to shift from mechanical to electronic locking systems. SimonsVoss components can be integrated on different levels, including existing databases such as access control, video surveillance, time and attendance systems, cashless vending or logical access. Various USPs such as operational efficiency, handling, design and technical assets like door monitoring make SmartIntego a future-forward solution and step towards electronic locking solutions.

For more information, visit [smartintego.com](https://www.smartintego.com)